

SCM7B



Module Dimensions and Pinouts

The following mechanical drawing is useful if designing circuit boards to mount the SCM7B modules. Many sockets are available which accept the mounting pins. As an example, AMP Inc. provides a socket with part number 50865-5.

The captive nut for the 4-40 mounting screw can be obtained from PEM (Penn Engineering and Manufacturing), part number KFS2-440.

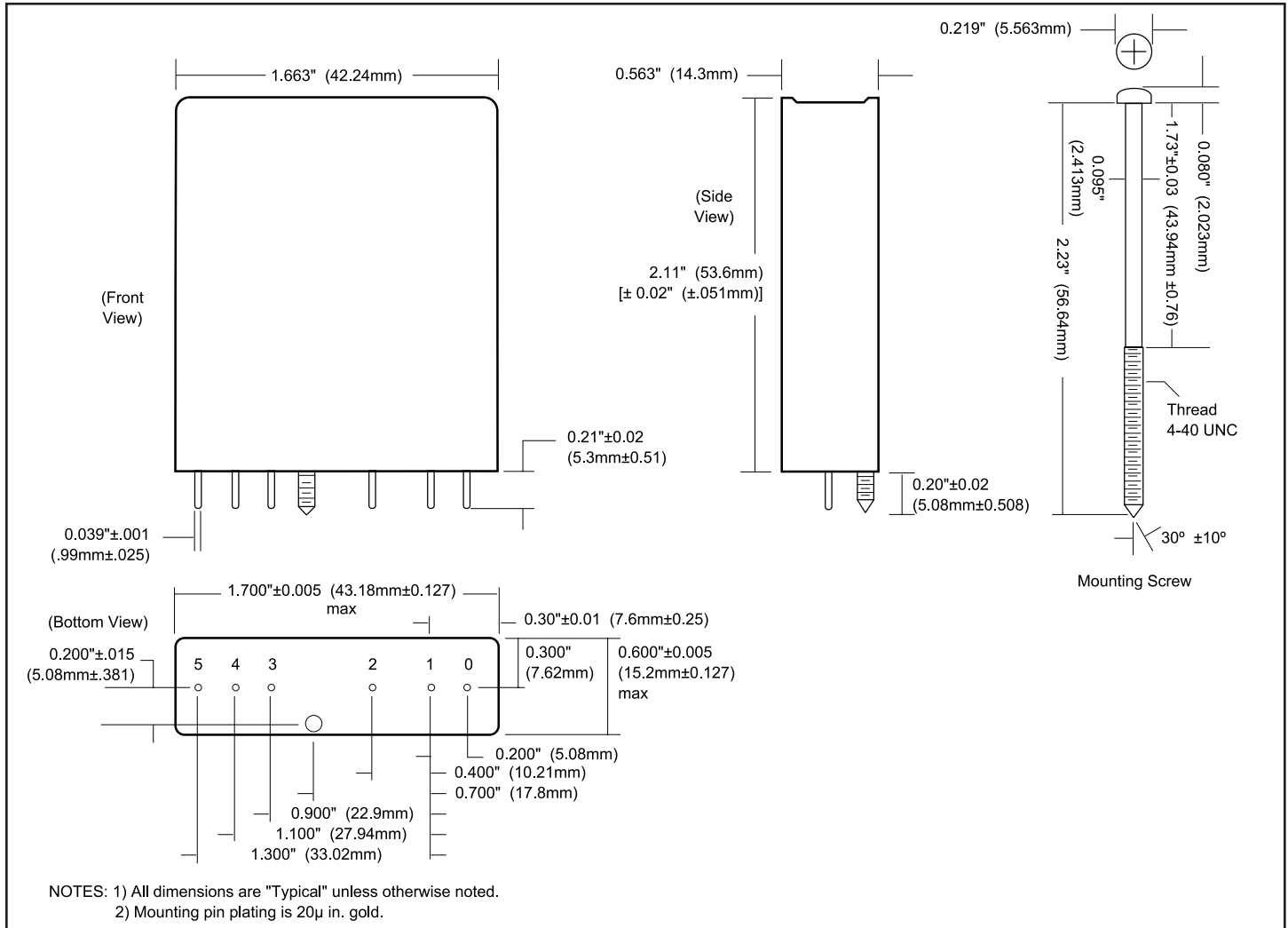


Figure 1: SCM7B Module Dimensions

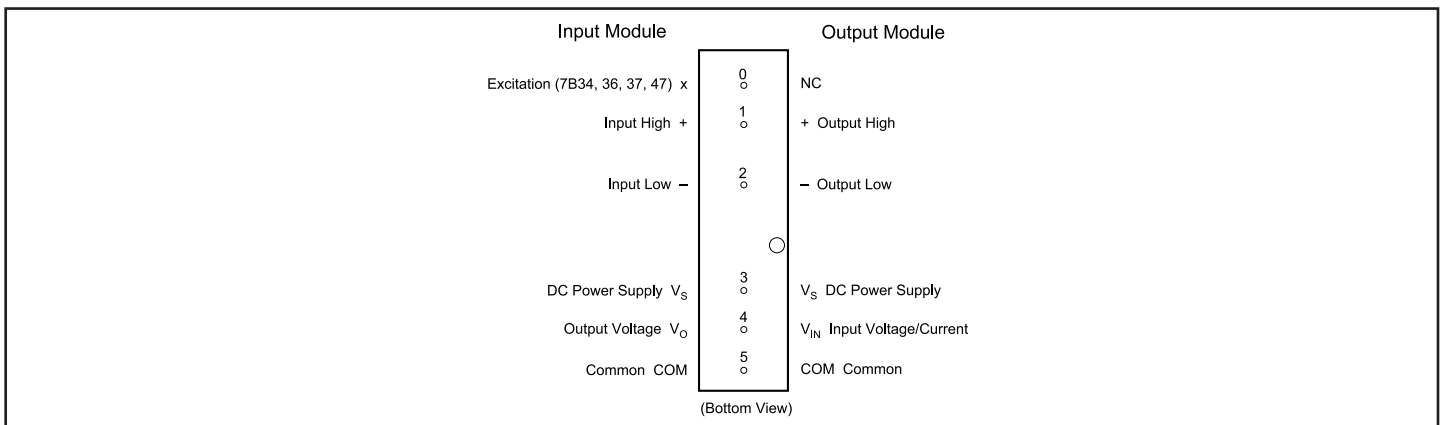


Figure 2: SCM7B Pinouts